

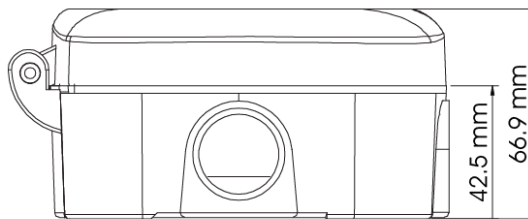
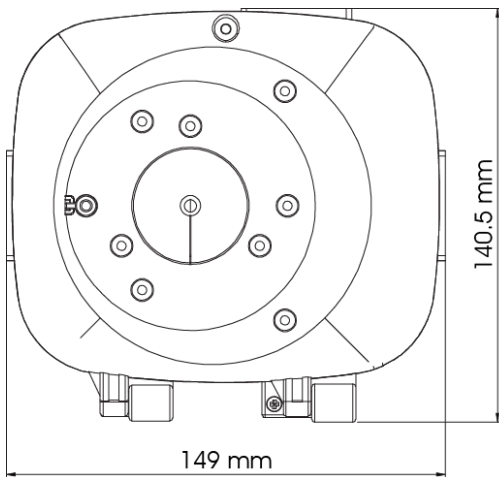
# IJBWMO-134

## IP Outdoor Wall Mount Junction Box

Infinique's IJBWMO-134 Outdoor Wall Mount Junction Box provides an easy and effective way to mount video surveillance cameras on wall. The Outdoor Wall Mount Junction Box is waterproof and protects the Ethernet connectors from moisture and dust. It safely conceals all the cabling giving the finished installation an aesthetic look. These junction boxes are suitable outdoor environment.

### Product Features

- IP Outdoor Wall Mount Junction Box
- IP66/IP67 Rated
- Vandal Resistant with IK10 Ratings
- Aluminum Alloy Die-Cast Casing
- White Powder Coat RAL 9003
- Dimensions 149 x 140.5 x 66.9
- Total Weight 450 grams



### ORDERING INFORMATION

PART NUMBER	DESCRIPTION
IJBWMO-134	Infinique Camera Junction Box, Wall Mount, Outdoor 149 (L) x 140.5 (W) x 66.9 (H) mm



Infinique, a Canadian company is a manufacturer of high performing end-to-end solutions in copper, fiber and video surveillance systems. For more information visit our website at [www.infinique.com](http://www.infinique.com) or email us at [sales@infinique.com](mailto:sales@infinique.com).