

# INB801F-RWTN

## 8 Megapixel Panoramic WDR Bullet Camera with IR LED

Infinique offers a wide range of IP based high definition cameras available in various housing formats, including Box, Dome and Bullet. Our cameras are equipped with superior image sensor and digital signal processor to produce sharp, crisp pictures and are enclosed in weather and vandal resistant housings making it suitable for use in all security applications. The ONVIF compliance of the cameras helps in easy integration, providing peace of mind for your investment. From small to very large installations, Infinique’s cameras are reliable, future proof and an ideal solution for your video surveillance needs.

The INB801F-RWTN is a 8 Megapixel IP IR bullet camera incorporating a 1/2.8” high quality image sensor and has a 130dB wide dynamic range providing sharp images and a wide field of view maintaining high level of image detail even when the video is digitally zoomed. It’s powerful array LEDs providing clear crisp images during the night for a distance of up to 25 meters.

The camera comes equipped with a 2mm lens which provides a panoramic field of view. It streams real-time video at high definition resolution using H.265 or H.264 compression optimizing the bandwidth and increasing storage efficiency.

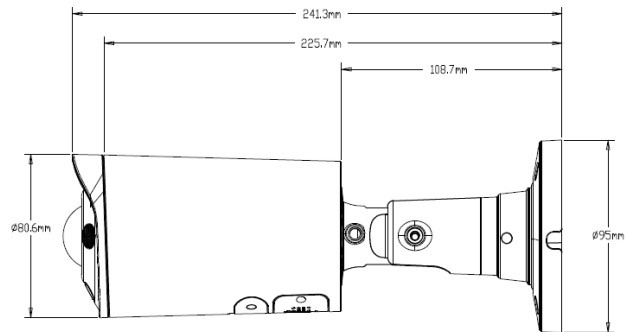
Built-in PoE for powering the camera and the concealed cable bracket for fixing it on ceiling or wall, provides the convenience for installers to complete the installation quickly and with ease. These excellent IP cameras are highly suitable for video surveillance of government buildings, residential apartments, schools, colleges, universities, shopping malls, hospitals, hotels, industrial parks, corporate offices.

### Product Features

- 1/2.8” Progressive Scan CMOS Image Sensor
- 8 Megapixel Resolution at 20 fps
- IR Distance 25 meters
- 2mm Panoramic Lens
- 130dB True WDR
- H.265, H.264 Compression
- Up to 3 Simultaneous Video Streams
- Composite Video Output
- IP67 Rated
- Micro SD Card Slot for Onboard Storage
- Power Over Ethernet (PoE), IEEE 802.3af
- Vandal Proof Aluminum Alloy Housing
- Wall or Ceiling mount with Concealed Cable Bracket
- ONVIF Compliant



### Dimensions



### Accessories



Part No: IJBWM-100  
Wall Mount Junction Box



Part No: IJBBCM-100  
Ceiling Mount Junction Box



Part No: IBKTCM  
Pendant Ceiling Bracket



Part No: IBBCPM  
Pole Mount Bracket

# INB801F-RWTN

8 Megapixel Panoramic WDR Bullet Camera with IR LED



IMAGE PERFORMANCE		LOCAL STORAGE	
Image Sensor	1/2.8" Progressive CMOS	Storage Type	Micro SD Card up to 512GB, Cloud Storage support
Effective Pixels (H x V)	3840 × 2160	Recording	Video and Image; Auto / Schedule/ Manual / On Event
Resolution (Megapixels)	8	NETWORK	
Minimum Illumination	0.007 lux (AGC ON) 0 lux with IR ON	Network Port	10/100M BASE-TX, RJ-45 Connector
Image Rate (fps)	20 @8MP	Cabling Type	Category 6 and higher
S/N Ratio	More than 50dB	Network Protocol	IPv4, HTTP, HTTPS, TCP/IP, Unicast/Multicast, UDP, RTP, RTSP, RTCP, DNS, DDNS, DHCP, FTP, NTP, PPPOE, SMTP, SNMP, UPNP, IEEE802.1X
IR Distance (m)	25	ONVIF Protocol	ONVIF Compliant S, G, T
LENS		Security	User Access with password protection, IP Filtering
Focal Length (mm)	2 (Panoramic Lens)	Users	1 Administrator, 6 Users
Iris	DC Auto Iris	PC Web Browser	IE 10/11, Edge V.79, Safari V12.1, Firefox V.52, Chrome V.57 and above
Lens Mount	M12	Mobile Device	Windows Mobile, Symbian, iPhone, Android
Aperture Ratio	F 2.4	Events	Motion Detection, Tamper Detection, Sensor
Angle of View (deg)	H:180 (Wide), V:91 (Wide)	Event Handlers	FTP, E-mail, Cloud, Alarm Out (if available)
VIDEO AND AUDIO		MECHANICAL	
Video Compression	H.265 Main Profile H.264 Baseline Profile/Main Profile/High Profile	Housing ID	V4BOMWH670725A1
Main Stream	3840x2160, 2592x1944, 3072x1728, 2592x1520, 2304x1296, 1920x1080, 1280x960, 1280x720	Dimensions (mm)	95 ø 241.30 (L)
Sub Stream	1920x1080, 1280x720, 640x480, 320x240	Weight (g)	836.30
Mobile Stream	640x480, 320x240	Housing	Vandal Resistant Aluminum Alloy Housing
Electronic Shutter Control	1/5 ~ 1/20000	Finish	White Powder Coat, RAL 9003 (Standard) Gray Powder Coat, RAL 7021
Day/Night Control	Automatic / Manual	Installation	Ceiling Mount / Wall Mount, Concealed Cable Bracket
Flicker Control	50 Hz, 60 Hz	ELECTRICAL	
WDR Type	True WDR, 130dB, On / Off / Adjustable Level	Power Consumption	12 Watts
3D Noise Reduction	Auto / Manual / Disable	Power Source	PoE IEEE802.3af; DC12V
White Balance	Automatic / Manual	Power Connector	DC Male Plug
Back Light Compensation	On / Off	RTC Backup Battery	3V Magnesium Lithium
Automatic Gain Control	Automatic	ENVIRONMENTAL	
Privacy Mask Zones	Up to 4 Privacy Mask Zones	Operating Temperature (C)	-35° to +60°
Audio Input / Output	Built-in MIC, Speaker	Storage Temperature (C)	-20° to +60°
Video Bit rate	256Kbps~16Mbps, Supports CBR/VBR	Operating Humidity	0% - 95% non condensing
OSD	Camera ID, Timestamp	Ingress Protection Rating	IP67
Image Orientation	Image Flip, Corridor Mode, Rotation	Impact Rating	IK07
Image Controls	Brightness, Contrast, Hue, Saturation, Acu, Gamma	STANDARDS COMPLIANCE	
Advanced Functions	Image Rotation, Gain Control, Anti-Fog, Anti-False Color, Anti-Shake, IR Detection	Emissions	FCC Part 15 Subpart B Class B EN 55022:2010 IC ICES-003 Class B
VIDEO ANALYTICS		Immunity	EN 55024:2010
Motion Detection	Multiple Zones	Safety	UL 609501, EU: 2001/95/EC GSPD
Advance Video Analytics	Tamper, Out Of Focus, Sound, Perimeter Intrusion, Line Crossing, Stationary Object, Pedestrian and Vehicle Detection, People Counting, HeatMap, Rare Sound		

ORDERING INFORMATION	
PART NUMBER	DESCRIPTION
INB801F-RWTN	Infinique Premium Series IR Bullet Camera, 1/2.8" Sensor, 8MP, 25/30fps, 2mm Panoramic Lens, IR Array LED, 25m IR Range, H.265, H.264, Three Streams, 130dB True WDR, TDN, Adjustable Bit Rate, ONVIF Compliant, Composite Video Out, SDHC Slot, PoE, IP67
IJBWWM-100	Infinique Wall Mount Junction Box, Base Diameter 100.5 mm
IJBBCM-100	Infinique Ceiling Mount Junction Box, Base Diameter 100.5 mm
IBKTCM	Infinique Pendant Mount Ceiling Bracket, 45 (D) x 294 (H) mm
IBBCPM	Infinique Pole Mount Bracket with Metal Ties, 125 (L) x 46 (W) x 200 (H) mm

# INB801F-RWTN

8 Megapixel Panoramic WDR Bullet Camera with IR LED



## Housing Accessories

### WALL MOUNT APPLICATION



Junction Box  
IBBWM-100

### CEILING MOUNT APPLICATION



Junction Box  
IBBCM-100

### PENDANT MOUNT APPLICATION



Ceiling Bracket  
IBKTCM

### POLE MOUNT APPLICATION



Pole Bracket  
IBBCPM



Junction Box  
IBBWM-100



Junction Box  
IBBCM-100



Infinique, a Canadian company is a manufacturer of high performing end-to-end solutions in copper, fiber and video surveillance systems. For more information visit our website at [www.infinique.com](http://www.infinique.com) or email us at [sales@infinique.com](mailto:sales@infinique.com).