

Access Control Lock

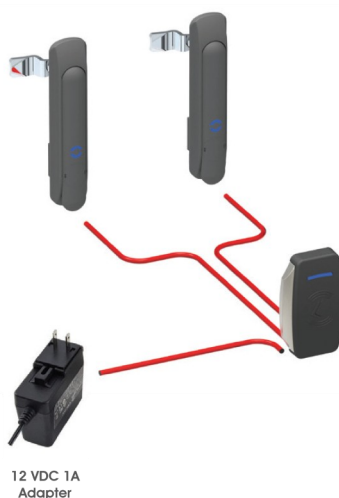
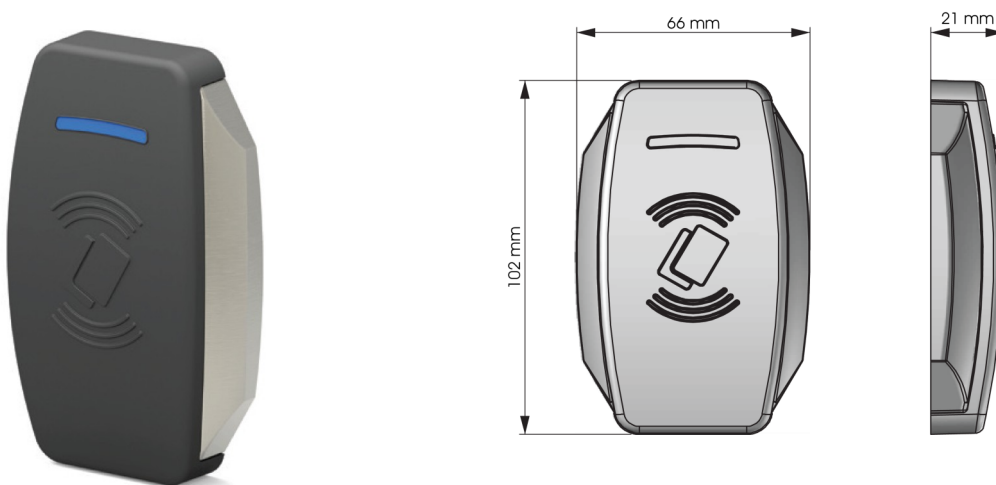
Network Rack Access Control Lock with Smart Card Access

Infinique’s Network Rack Access Control is an intelligent door access and control system designed to deliver controlled access to sensitive IT assets in the data centers. It is an economically scalable solution that addresses evolving cabinet-level physical security requirements. Available at 13.56 MHz proximity card frequencies to work with existing building access cards, if supported. Administrators can easily configure access control profiles for individual employees, configure scheduled access to equipment for maintenance purposes, and view audit trails.

Features and Benefits

- Master and User Level Cards (RFID tag)
- Standard ISO 14443-A RFID
- RFID Card of 13.56Mhz
- Two lock outputs to control physical access to rack
- Supports a wide range of locks including swing handles
- Ability to control the locks separately
- 12 Volt DC supply voltage

CONSTRUCTION



STATUS INDICATORS		
Signal 1		Ready
Signal 2		Error
Signal 3		Ok
Signal 4		Menu

ORDERING INFORMATION

Part Number	Description
INRSACLSH-1	Infinique Network Rack Access Control Lock with Smart Card Access