

# INV411Z-RTS

## 4 Megapixel IR Varifocal Vandal Dome Camera

Infinique offers a wide range of IP based high definition cameras from 1.4MP to 6MP which are available in Box, Dome and Bullet housing. Our cameras are equipped with superior image sensor and digital signal processor to produce sharp, crisp pictures and are enclosed in weather-proof vandal resistant housing making it suitable for use in different types of applications. The ONVIF compliance of our cameras helps in easy integration, providing peace of mind for your investment. From small to very large installations, Infinique's cameras are reliable, future proof and an ideal solution for your video surveillance needs.

The INV411Z-RTS is a 4 Megapixel IR Vandal Dome Camera with weather-proof vandal resistant aluminum housing, incorporating a 1/3" high quality image sensor and IR LEDs it provides clear crisp images both during the day and night.

The camera comes equipped with 2.8~8mm motorized zoom lens for easy setup of field of view. The auto iris control allows the camera to automatically set its iris position to maximize image quality in all lighting conditions. The camera streams real-time video at high definition resolution using H.264 or H.265 compression optimizing the bandwidth and increasing storage efficiency.

Built-in PoE for powering the camera and the flexible 3-axis bracket for fixing it on ceiling or wall, provides the convenience for installers to complete the installation quickly and with ease. These versatile cameras are highly suitable for video surveillance of government buildings, residential apartments, schools, colleges, universities, shopping malls, hospitals, hotels, industrial parks, and corporate offices.

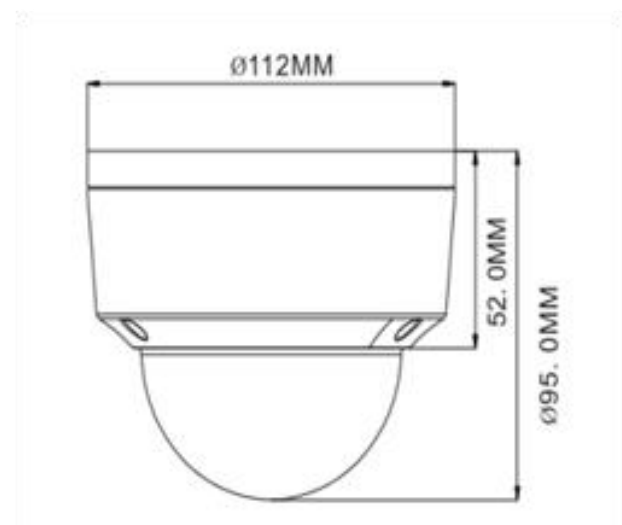
### Product Features

- 1/3" CMOS Sensor
- 4 Megapixel Resolution
- H.265, H.264 Compression in all streams
- 2.8~8mm Motorized Zoom Lens with DC Auto Iris
- Up to 20fps at 2592 x 1520
- S/N Ratio of more than 50dB
- Digital Wide Dynamic Range
- IR LED, IR Distance up to 40 meters
- Up to 3 Simultaneous Video Streams
- Micro SD Card Slot for Onboard Storage
- Two Way Audio, Alarm I/O
- Power Over Ethernet (PoE), IEEE 802.3af
- IP66 and IK10 Rated Housing
- Wall or Ceiling mount with 3 Axis Bracket
- ONVIF Compliant



ONVIF

### Dimensions



# INV411Z-RTS

## 4 Megapixel IR Varifocal Vandal Dome Camera



IMAGE PERFORMANCE	
Image Sensor	1/3" CMOS
Effective Pixels	2592 (H) × 1520 (V)
Resolution	4 Megapixels
Minimum Illumination	0.05 lux (AGC ON) 0 lux with IR ON
Image Rate	20fps @ 4MP, 25fps @ 3MP and all lower resolutions
S/N Ratio	More than 50dB
IR Range	30 IR LEDs up to 40 meters
LENS	
Focal Length	2.8–8mm Motorized Zoom Lens
Iris	DC Auto Iris
Lens Mount	M14
Aperture Ratio	F1.2
Angle of View	H:108.6°(Wide)–31.8°(Tele), V:81.4°(Wide)–23.5°(Tele)
VIDEO	
Video Compression	H.265 Main Profile; H.264 (Baseline, MP, HP)
Main Stream	2592x1520, 2048x1520, 1920x1080, 1280x960, 1280x720
Sub Stream	1280x720, 640x480, 320x240
Electronic Shutter Control	1/5 ~ 1/20,000 sec
Day/Night Control	2D/3D DNR with IR cut filter
Flicker Control	50 Hz, 60 Hz
Digital WDR	Off, Low, Normal, High
White Balance	Automatic / Manual
Image Enhancement	BLC, 2D/3D-DNR, Defog
Privacy Mask Zones	Up to 4 Privacy Mask Zones
Audio Compression	G.711A/ G.711U/ G.726
Audio Input/ Output	Line level input and output, 3.5mm A/V Interface
Video Output	2 pin terminal block
Video Bit rate	256K-8M ,Supports CBR/VBR
Alarm I/O	2CH alarm Input, 1CH alarm output
OSD	Camera ID, Timestamp
Image Orientation	Image Flip, Corridor Mode, Rotation
Image Controls	Brightness, Contrast, Hue, Saturation, Sharpness
Advanced Functions	Image Rotation, Gain Control, Anti-Fog, Anti-False Color, Anti-Shake, IR Defection
Motion Detection	Up to 4 Zones
LOCAL STORAGE	
Storage Type	Micro SD card, Max up to 128GB
Recording	Video and Image; Auto / Schedule/ Manual / On Event

NETWORK	
Network Port	10/100M BASE-TX, RJ-45 Connector
Cabling Type	Category 6 and higher
Network Protocol	IPv4, HTTP, TCP/IP, UDP, RTP, RTSP-unicast / multicast, RTCP, DNS, DDNS, DHCP, FTP, NTP, PPPOE, SMTP, UPNP,SNMP,IPv6
ONVIF Protocol	ONVIF Compliant Profile-S 2.60
Security	Multiple User Access with password protection
Users	1 Administrator, 2 Guests
Simultaneous Viewing	Up to 5 users
PC Web Browser	IE 6.0 Above; Mozilla Firefox; Google Chrome
Mobile Device	Windows Mobile, Symbian, iPhone, Android
Events	Motion, Sensor, Network Failure
Event Handlers	FTP, E-mail
MECHANICAL	
Housing ID	V4DIMWH660830S1
Dimensions	Φ112 x 95 mm
Weight	499g
Housing	Vandal Resistant Aluminum Alloy Housing
Finish	White Powder Coat
Installation	Ceiling Mount / Wall Mount, 3-Axis Bracket
ELECTRICAL	
Power Consumption	580mA, 12V DC, 7W
Power Source	PoE IEEE802.3af; DC12V ±10%; AC 24±10%
Power Connector	3.5mm Power Jack
RTC Backup Battery	3V Magnesium Lithium
ENVIRONMENTAL	
Operating Temperature	-10 °C to +50 °C
Storage Temperature	-20 °C to +60 °C
Operating Humidity	0% - 95% non condensing
Ingress Protection Rating	IP66
STANDARDS COMPLIANCE	
Emissions	FCC Part 15 Subpart B Class B EN 55022:2010 IC ICES-003 Class B
Immunity	EN 55024:2010
Safety	UL 609501, EU: 2001/95/EC GPSD

ORDERING INFORMATION	
PART NUMBER	DESCRIPTION
INV411Z-RTS	Infinique Premium Series Indoor Outdoor IR Dome Camera, 1/3 CMOS Sensor, 4MP, 2.8-8mm Motorized Zoom Lens, IR Array LED, 30m IR Range, H.265, H.264, Three Video Streams, D-WDR, True Day and Night with ICR, Adjustable Bit Rate, ONVIF Compliant, PoE, IP66

**infinique**™ Infinique, a Canadian company is a manufacturer of high performance end-to-end solutions in copper, fiber and video surveillance systems. For more information visit our website at [www.infinique.com](http://www.infinique.com) or email us at [sales@infinique.com](mailto:sales@infinique.com).  
An ISO 9001:2008 Company

[www.infinique.com](http://www.infinique.com)

Product specification, design and availability subject to change without prior notice.